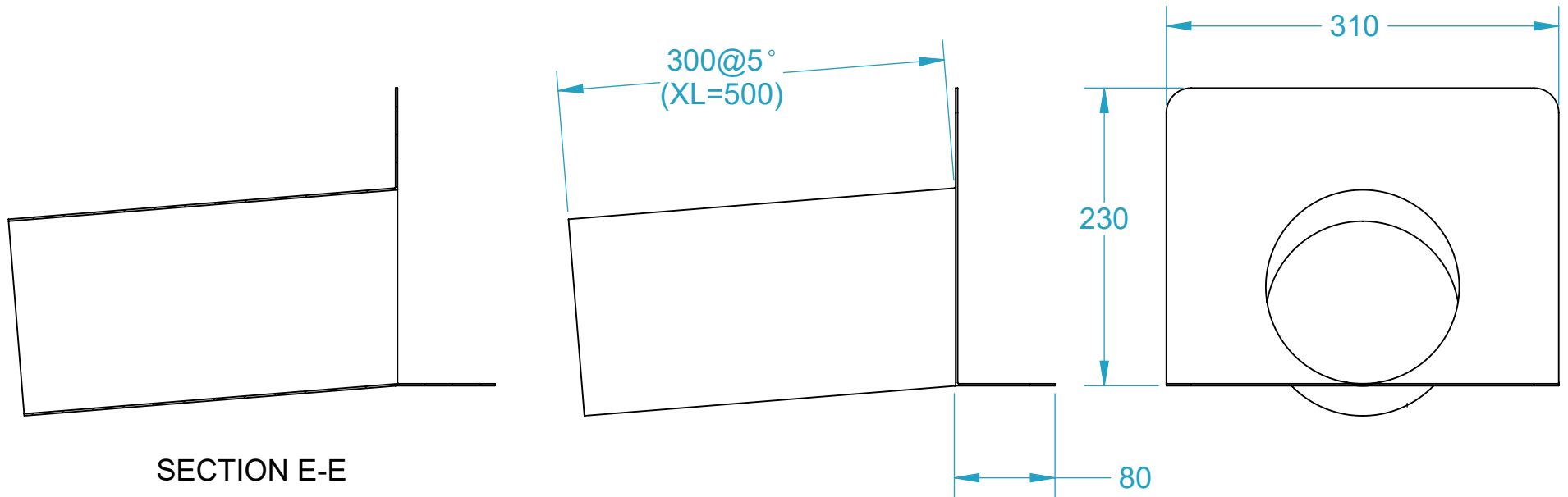
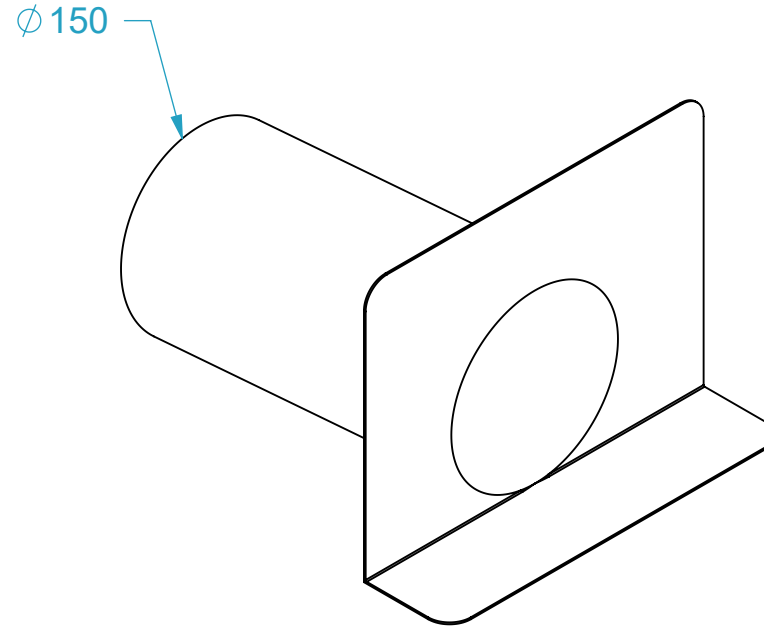
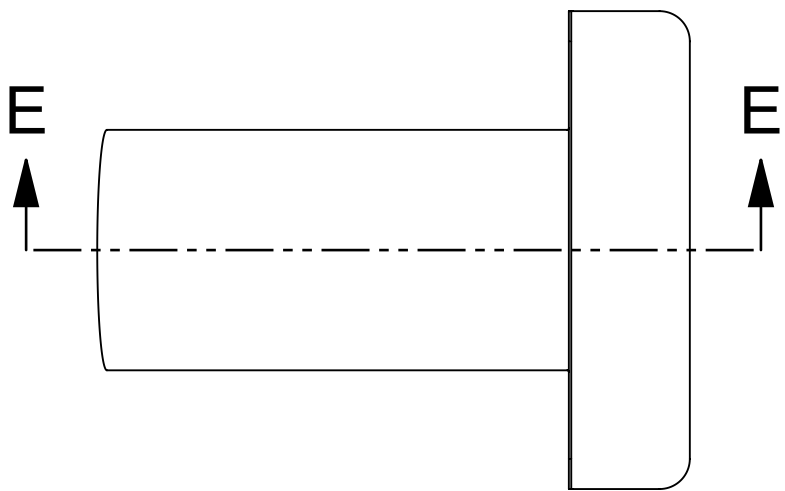


AQUAKNIGHT INDUSTRIES

CODE	NAME	DN
2200.712	Scupper Round 150 Ali	150
2200.712XL	Scupper Round 150x500 Ali	150
2200.713	Scupper Round 150 SS316	150
2200.713XL	Scupper Round 150x500 SS316	150



SECTION E-E