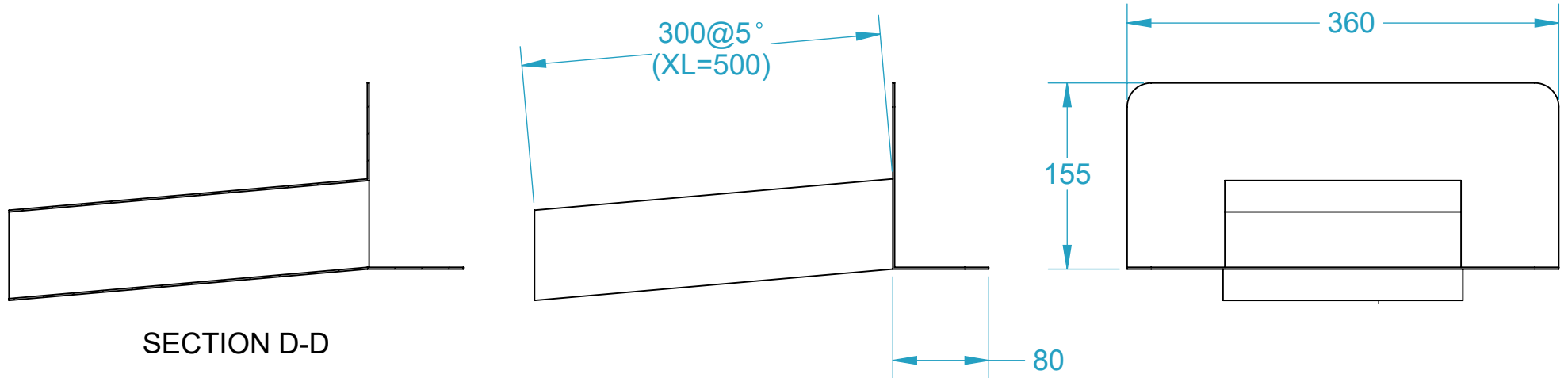
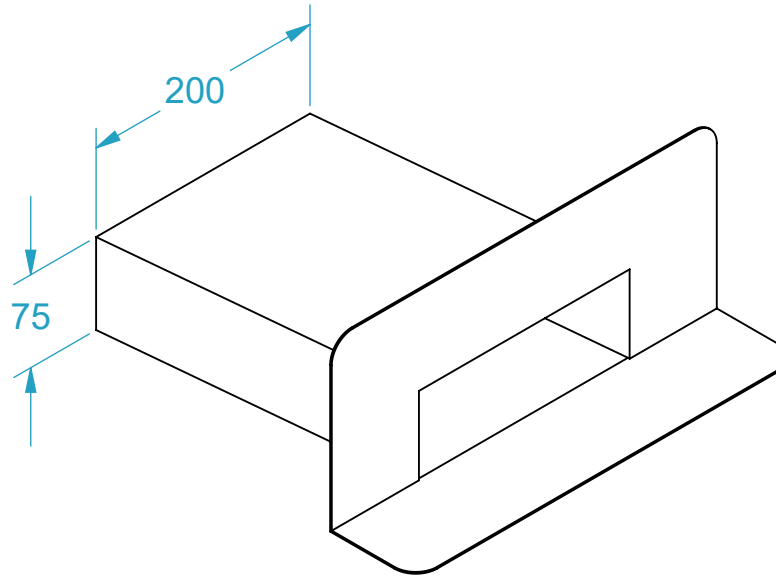
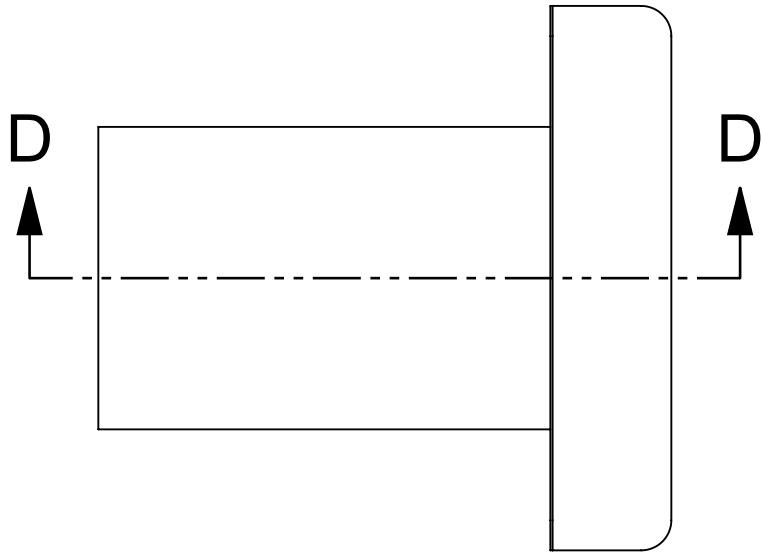


AQUAKNIGHT INDUSTRIES

CODE	NAME	DN
2200.312	Scupper 200x75 Ali	150
2200.312XL	Scupper 200x75x500 Ali	150
2200.313	Scupper 200x75 SS316	150
2200.313XL	Scupper 200x75x500 SS316	150



SECTION D-D