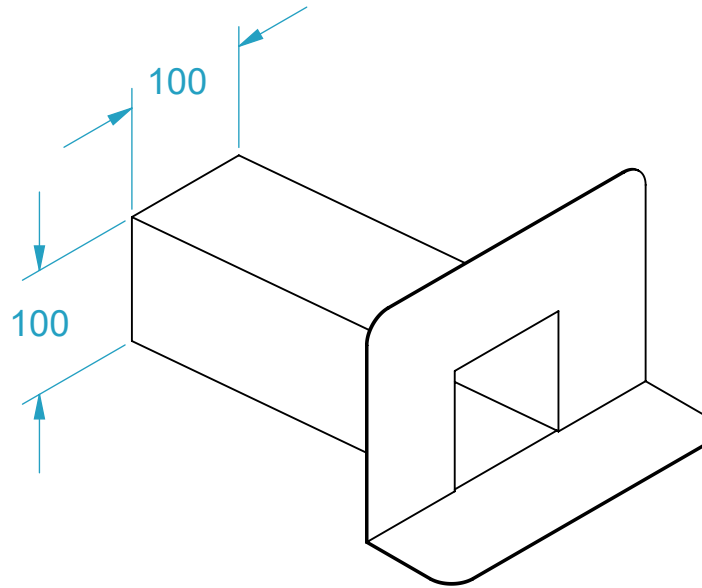
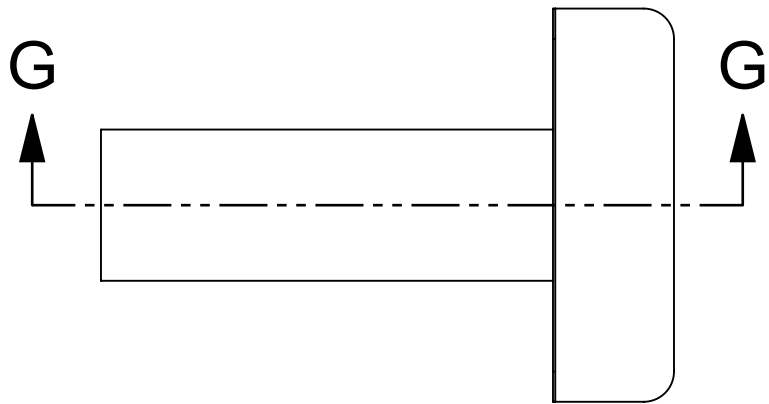


AQUAKNIGHT INDUSTRIES

CODE	NAME	DN
2200.212	Scupper 100x100 Ali	100
2200.212XL	Scupper 100x100x500 Ali	100
2200.213	Scupper 100x100 SS316	100
2200.213XL	Scupper 100x100x500 SS316	100



SECTION G-G

